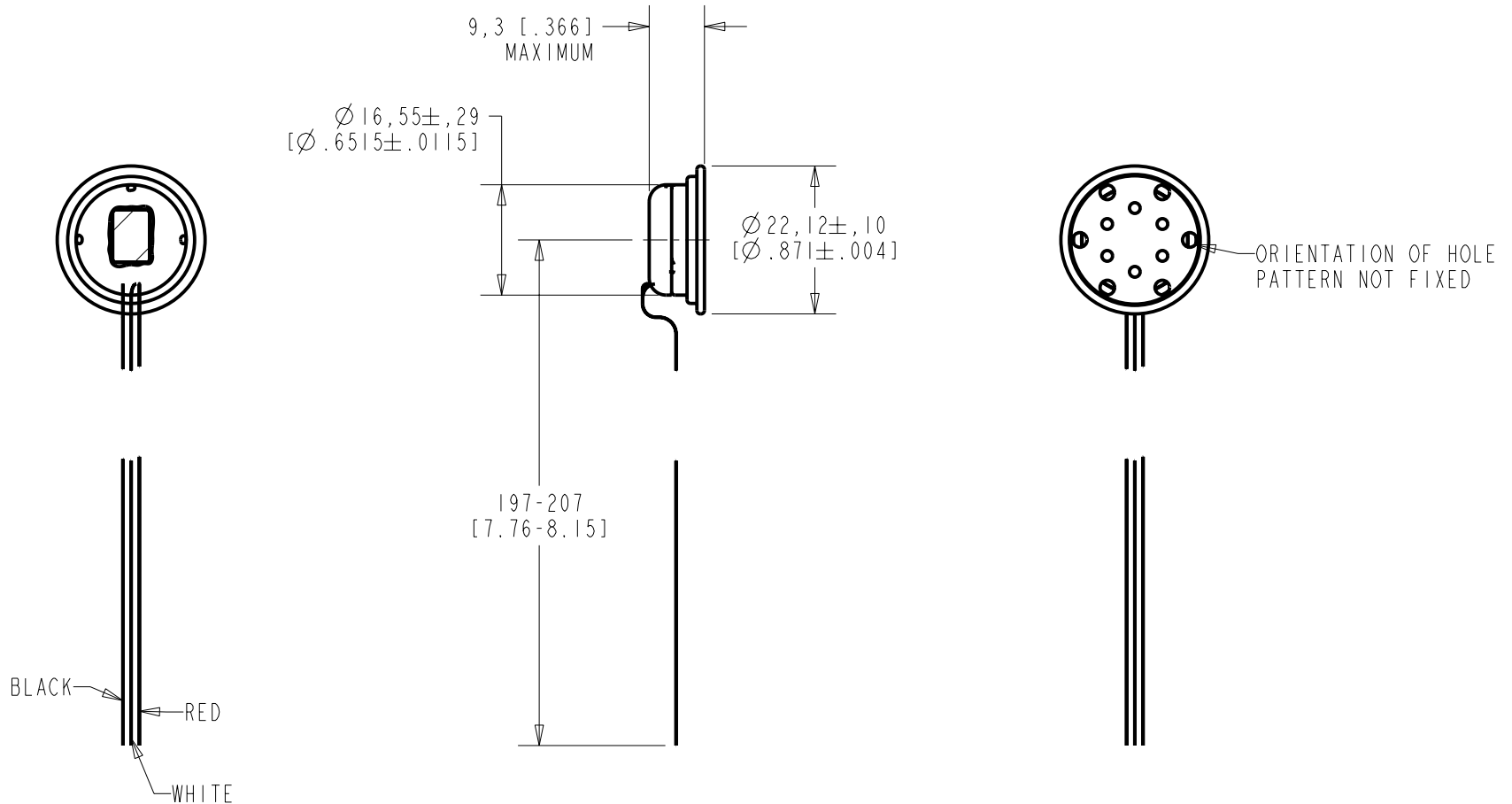


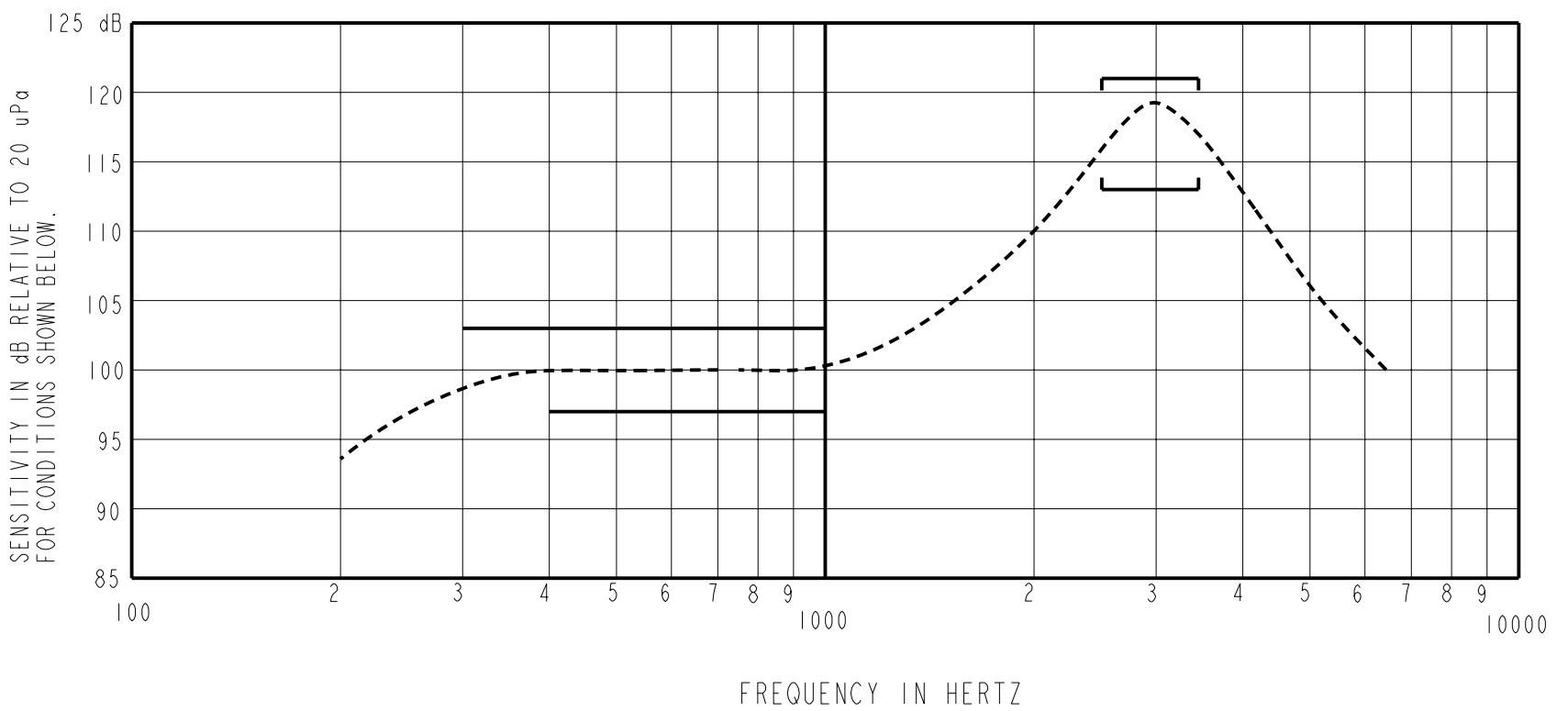
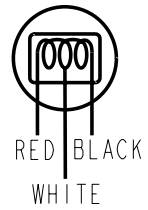
MR-23333-000
SHT 1.1



DIMENSIONS IN MILLIMETERS [INCHES]

KNOWLES ELECTRONICS
ITASCA, ILLINOIS U.S.A.

Revision	C.O. #	Implementation Date	RELEASE LEVEL	REVISION
A	M10101188	8-1-06	Released	A
SCALE: 1:1			DR. BY	DATE
DO NOT SCALE DRAWING			AB	8-1-06
TITLE: WATERPROOF SPEAKER			CK. BY	DATE
MR-23333-000			GJP	8-2-06
OUTLINE DRAWING			APP. BY	DATE
SHT 1.1			GJP	8-2-06



NOTES:

1. MEASUREMENTS MADE WITH UNIT UNDER TEST, SEALED TO AN IEC 318 COUPLER (BRUEL & KJAER PART NO. 4153) AFTER A MINIMUM OF 10 MINUTES AT 20M IMMERSION IN WATER AND 43 PSI (GAGE) OR WATER APPLIED TO FACE OF SPEAKER.

2. ELECTRICAL SIGNAL (SEE #4 BELOW)

3. SENSITIVITY

FREQUENCY	MIN.	MAX.
300	---	103.0
400	97.0	103.0
1000	97.0	103.0

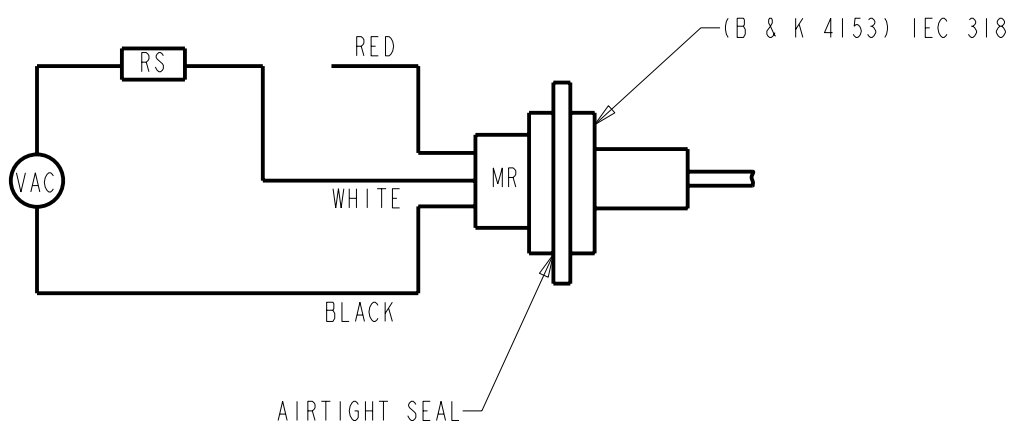
PEAK TO BE WITHIN BOX DEFINED

2500	113.0	121.0
3500	113.0	121.0

4. INDIVIDUAL SPECIFICATIONS.

STD DRIVE		DISTORTION		1 KHZ IMP (± 15%)	D.C. RES @ 23°C (+ 10%)	MAX DRIVE	
VAC RMS	RS OHMS	MAX %	FREQ. Hz			VAC RMS	RS OHMS
0.20	21	5	300	21	10	1.3	60

5. TEST CONDITIONS.



Revision	C.O. #	Implementation Date	RELEASE LEVEL	REVISION
A	M10101188	8-1-06	Released	A

WHEN TEST LIMITS ARE USED TO ESTABLISH INCOMING INSPECTION ACCEPTANCE/REJECTION CRITERIA, CORRELATION OF TEST EQUIPMENT WITH KNOWLES IS ALSO REQUIRED FOR ELIMINATION OF EQUIPMENT AND TEST METHOD VARIATION	DR. BY	DATE
	AB	8-1-06
	CK. BY	DATE
	GJP	8-2-06
TITLE:	WATERPROOF SPEAKER	MR-23333-000
	PERFORMANCE SPECIFICATION	SHT 2.1
		GJP 8-2-06

KNOWLES ELECTRONICS
ITASCA, ILLINOIS U.S.A.